



**ADVANCED GCE UNIT
MATHEMATICS**

Mechanics 3

MONDAY 21 MAY 2007

4730/01

Morning

Time: 1 hour 30 minutes

Additional Materials: Answer Booklet (8 pages)
List of Formulae (MF1)

INSTRUCTIONS TO CANDIDATES

- Write your name, centre number and candidate number in the spaces provided on the answer booklet.
- Answer **all** the questions.
- Give non-exact numerical answers correct to 3 significant figures unless a different degree of accuracy is specified in the question or is clearly appropriate.
- The acceleration due to gravity is denoted by $g \text{ m s}^{-2}$. Unless otherwise instructed, when a numerical value is needed, use $g = 9.8$.
- You are permitted to use a graphical calculator in this paper.

INFORMATION FOR CANDIDATES

- The number of marks is given in brackets [] at the end of each question or part question.
- The total number of marks for this paper is 72.

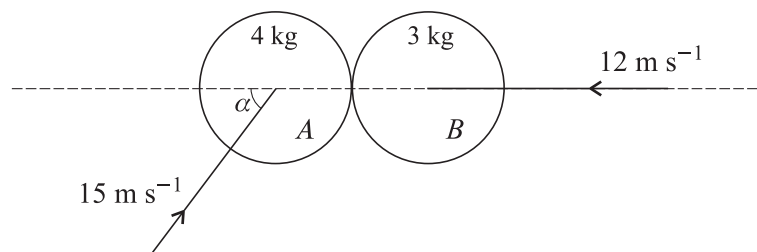
ADVICE TO CANDIDATES

- Read each question carefully and make sure you know what you have to do before starting your answer.
- **You are reminded of the need for clear presentation in your answers.**

This document consists of **4** printed pages.

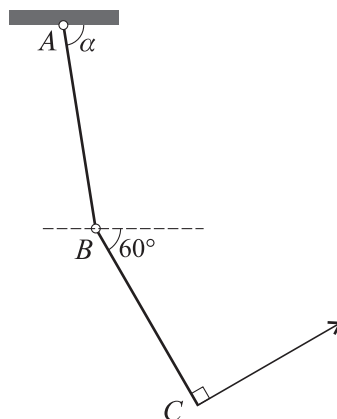
- 1 A particle P is moving with simple harmonic motion in a straight line. The period is 6.1 s and the amplitude is 3 m. Calculate, in either order,
- (i) the maximum speed of P , [3]
 - (ii) the distance of P from the centre of motion when P has speed 2.5 m s^{-1} . [3]
- 2 A tennis ball of mass 0.057 kg has speed 10 m s^{-1} . The ball receives an impulse of magnitude 0.6 N s which reduces the speed of the ball to 7 m s^{-1} . Using an impulse-momentum triangle, or otherwise, find the angle the impulse makes with the original direction of motion of the ball. [7]
- 3 A particle P of mass 0.2 kg is projected horizontally with speed $u \text{ m s}^{-1}$ from a fixed point O on a smooth horizontal surface. P moves in a straight line and, at time $t \text{ s}$ after projection, P has speed $v \text{ m s}^{-1}$ and is $x \text{ m}$ from O . The only force acting on P has magnitude $0.4v^2 \text{ N}$ and is directed towards O .
- (i) Show that $\frac{1}{v} \frac{dv}{dx} = -2$. [2]
 - (ii) Hence show that $v = ue^{-2x}$. [4]
 - (iii) Find u , given that $x = 2$ when $t = 4$. [4]

4



Two uniform smooth spheres A and B , of equal radius, have masses 4 kg and 3 kg respectively. They are moving on a horizontal surface, and they collide. Immediately before the collision, A is moving with speed 15 m s^{-1} at an angle α to the line of centres, where $\sin \alpha = 0.8$, and B is moving along the line of centres with speed 12 m s^{-1} (see diagram). The coefficient of restitution between the spheres is 0.5. Find the speed and direction of motion of each sphere after the collision. [10]

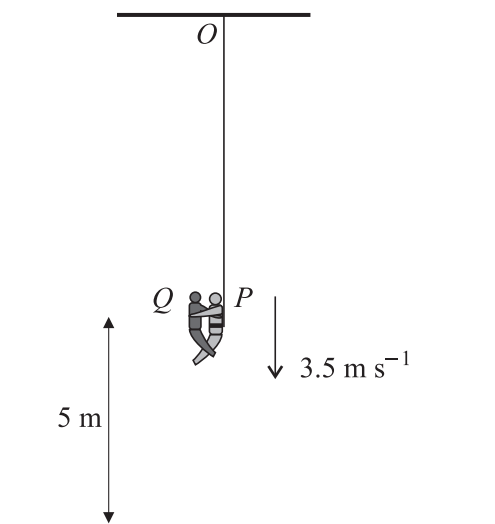
5



Two uniform rods AB and BC , each of length 1.4 m and weight 80 N, are freely jointed to each other at B , and AB is freely jointed to a fixed point at A . They are held in equilibrium with AB at an angle α to the horizontal, and BC at an angle of 60° to the horizontal, by a light string, perpendicular to BC , attached to C (see diagram).

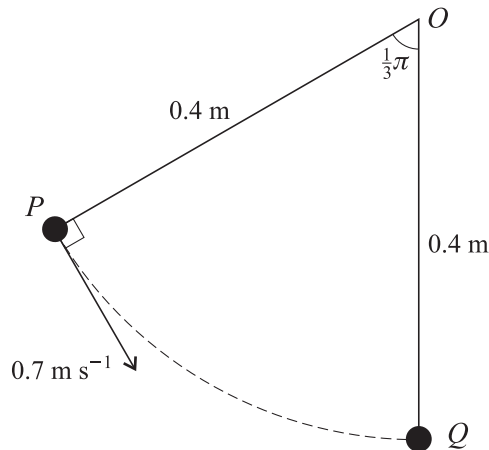
- (i) By taking moments about B for BC , calculate the tension in the string. Hence find the horizontal and vertical components of the force acting on BC at B . [7]
- (ii) Find α . [4]

6



A circus performer P of mass 80 kg is suspended from a fixed point O by an elastic rope of natural length 5.25 m and modulus of elasticity 2058 N. P is in equilibrium at a point 5 m above a safety net. A second performer Q , also of mass 80 kg, falls freely under gravity from a point above P . P catches Q and together they begin to descend vertically with initial speed 3.5 m s^{-1} (see diagram). The performers are modelled as particles.

- (i) Show that, when P is in equilibrium, $OP = 7.25 \text{ m}$. [3]
- (ii) Verify that P and Q together just reach the safety net. [5]
- (iii) At the lowest point of their motion P releases Q . Prove that P subsequently just reaches O . [3]
- (iv) State two additional modelling assumptions made when answering this question. [2]



A particle P of mass 0.8 kg is attached to a fixed point O by a light inextensible string of length 0.4 m . A particle Q is suspended from O by an identical string. With the string OP taut and inclined at $\frac{1}{3}\pi$ radians to the vertical, P is projected with speed 0.7 m s^{-1} in a direction perpendicular to the string so as to strike Q directly (see diagram). The coefficient of restitution between P and Q is $\frac{1}{7}$.

- (i) Calculate the tension in the string immediately after P is set in motion. [4]
- (ii) Immediately after P and Q collide they have equal speeds and are moving in opposite directions. Show that Q starts to move with speed 0.15 m s^{-1} . [4]
- (iii) Prove that before the second collision between P and Q , Q is moving with approximate simple harmonic motion. [5]
- (iv) Hence find the time interval between the first and second collisions of P and Q . [2]

Permission to reproduce items where third-party owned material protected by copyright is included has been sought and cleared where possible. Every reasonable effort has been made by the publisher (OCR) to trace copyright holders, but if any items requiring clearance have unwittingly been included, the publisher will be pleased to make amends at the earliest possible opportunity.

OCR is part of the Cambridge Assessment Group. Cambridge Assessment is the brand name of University of Cambridge Local Examinations Syndicate (UCLES), which is itself a department of the University of Cambridge.